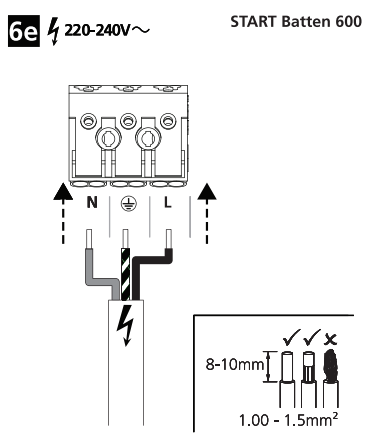
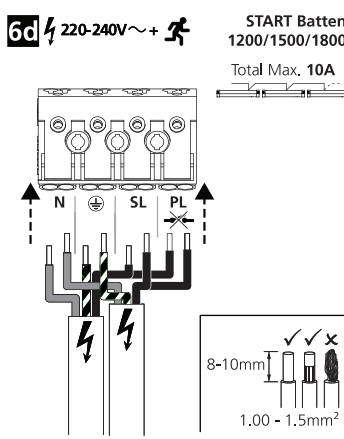
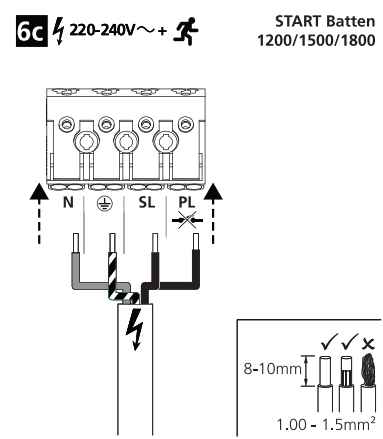
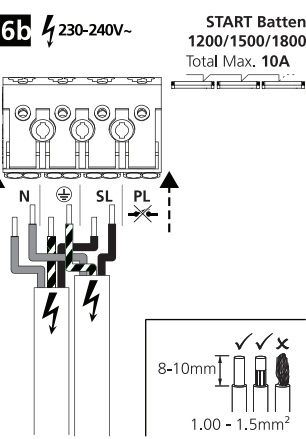
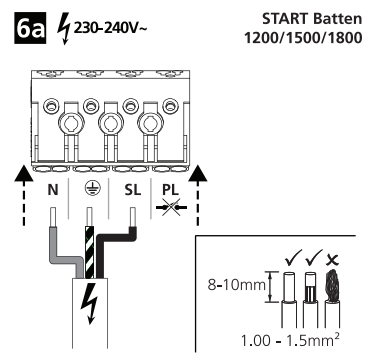
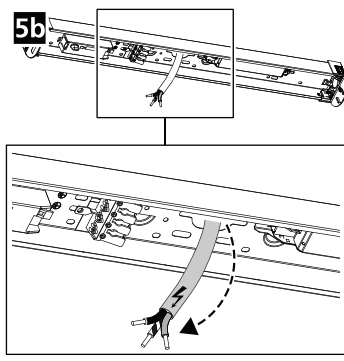
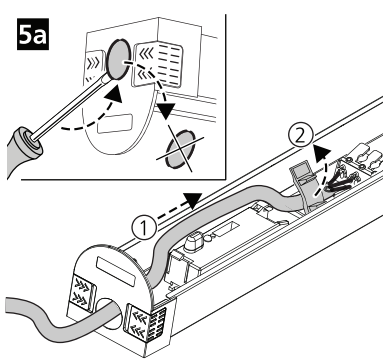
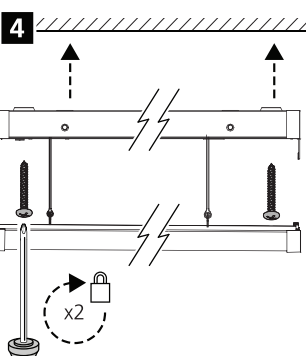
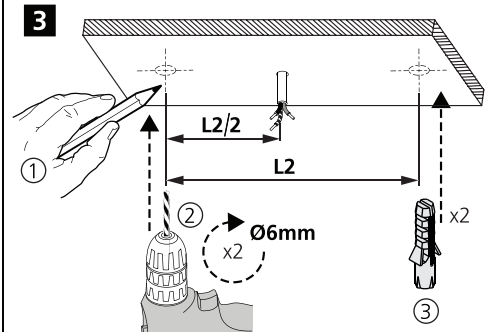
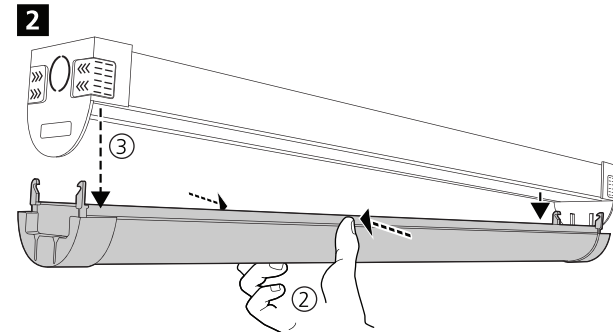
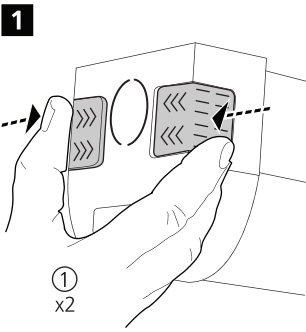
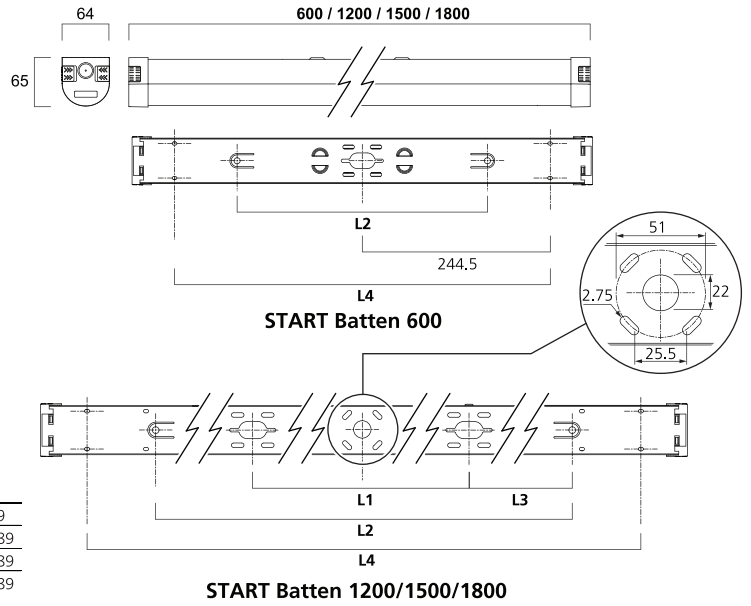
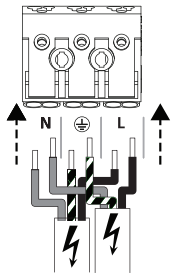


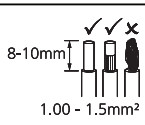
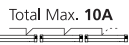
| | L1 | L2 | L3 | L4 |
|-------------------|-----|-----|-----|------|
| START Batten 600 | - | 326 | - | 489 |
| START Batten 1200 | 600 | 926 | 163 | 1089 |
| START Batten 1500 | 600 | 943 | 163 | 1089 |
| START Batten 1800 | 600 | 943 | 163 | 1089 |



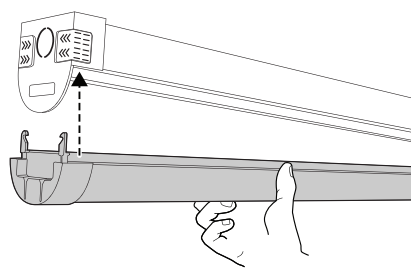
6f 220-240V~



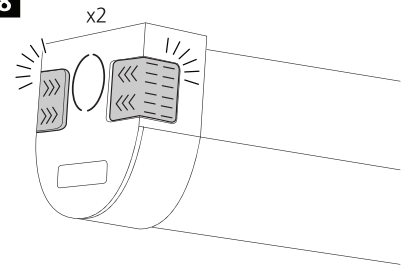
START Batten 600



7

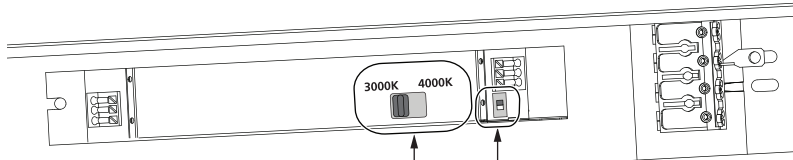
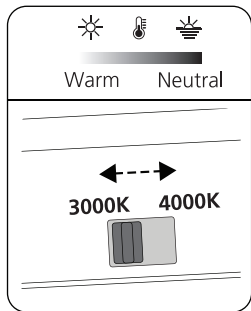


8

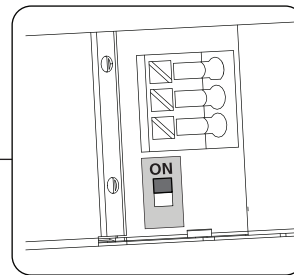


! CCT / Light Output

3000K / 4000K



Light Output

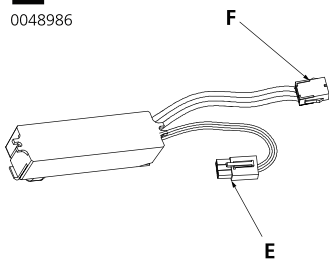


ON
OFF

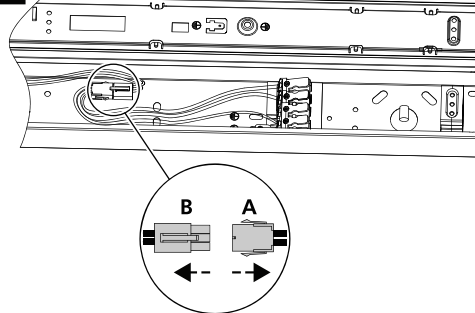
| | | | |
|--|----|---|------------|
| | I | ● | LO setting |
| | II | ○ | HO setting |

1 Start Batten ON/OFF MW Sensor KIT

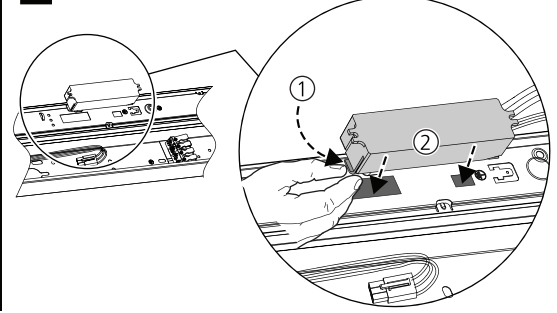
0048986



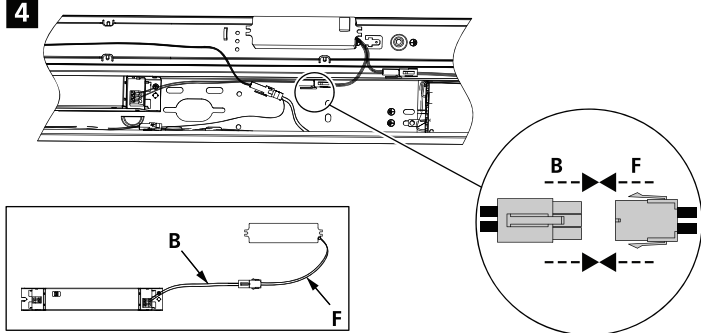
2



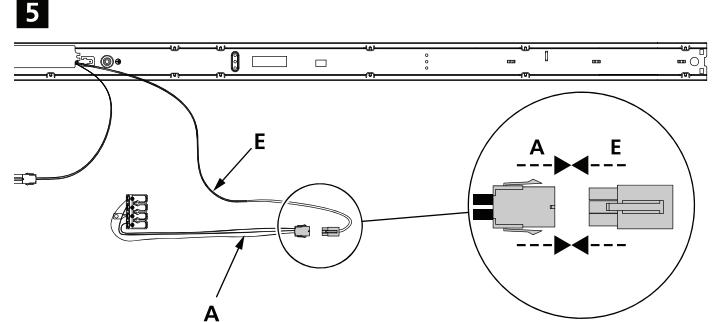
3



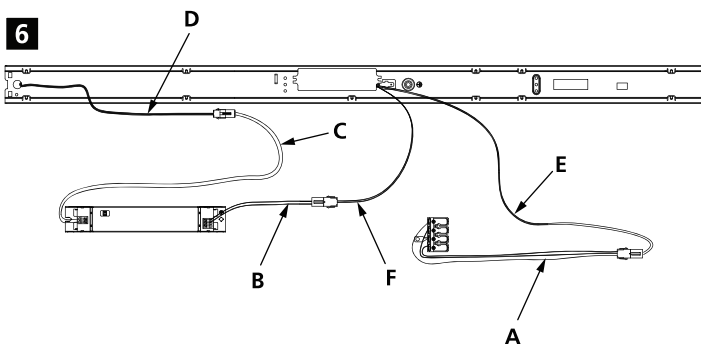
4



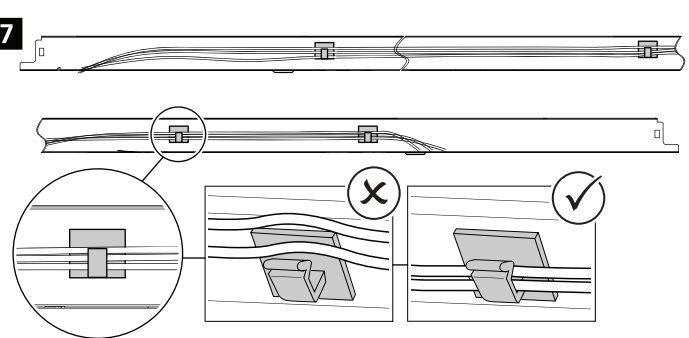
5



6

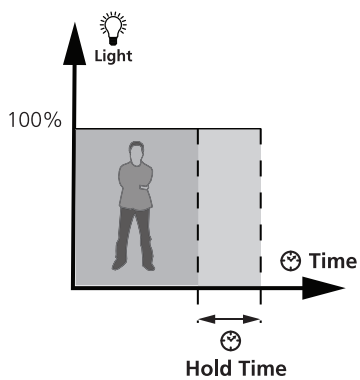
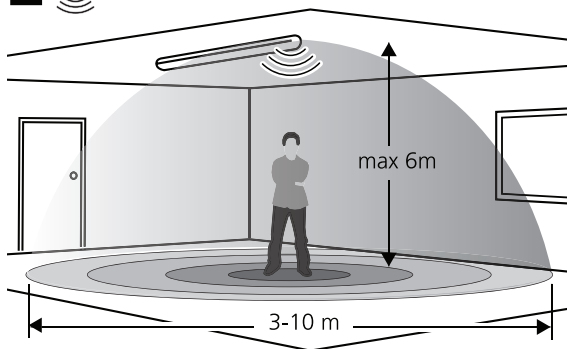


7



Start Batten ON/OFF MW Sensor KIT

0048486



- ON
- ↑
- ↓
- OFF

Detection Area

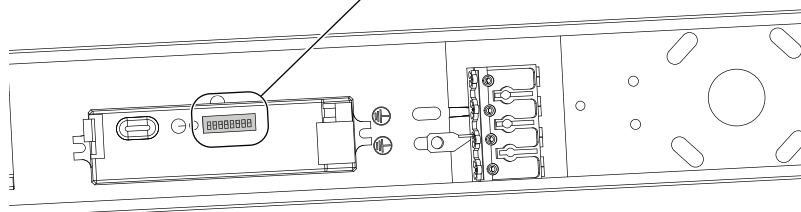
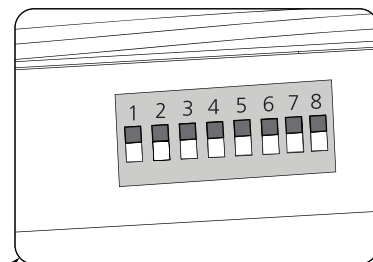
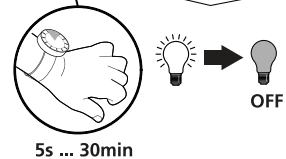
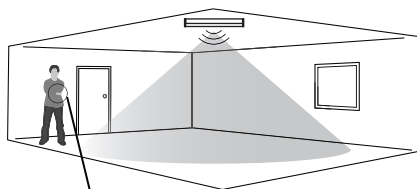
| | 1 | 2 | % | Detection Ø |
|-----|---|---|------|-------------|
| I | ● | ● | 100% | 10m |
| II | ○ | ● | 75% | 8m |
| III | ● | ○ | 50% | 5m |
| IV | ○ | ○ | 25% | 3m |

Hold Time

| | 3 | 4 | 5 | ☀ |
|-----|---|---|---|-------|
| I | ● | ● | ● | 5s |
| II | ○ | ● | ● | 30s |
| III | ● | ○ | ● | 90s |
| IV | ○ | ○ | ● | 5min |
| V | ● | ● | ○ | 20min |
| VI | ○ | ○ | ○ | 30min |

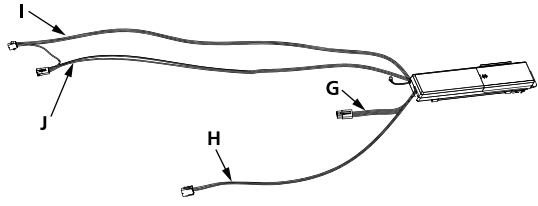
Daylight Sensor

| | 6 | 7 | 8 | Lux |
|-----|---|---|---|---------|
| I | ● | ● | ● | 2Lux |
| II | ● | ● | ○ | 10Lux |
| III | ○ | ● | ○ | 30Lux |
| IV | ● | ○ | ○ | 50Lux |
| V | ○ | ○ | ○ | Disable |



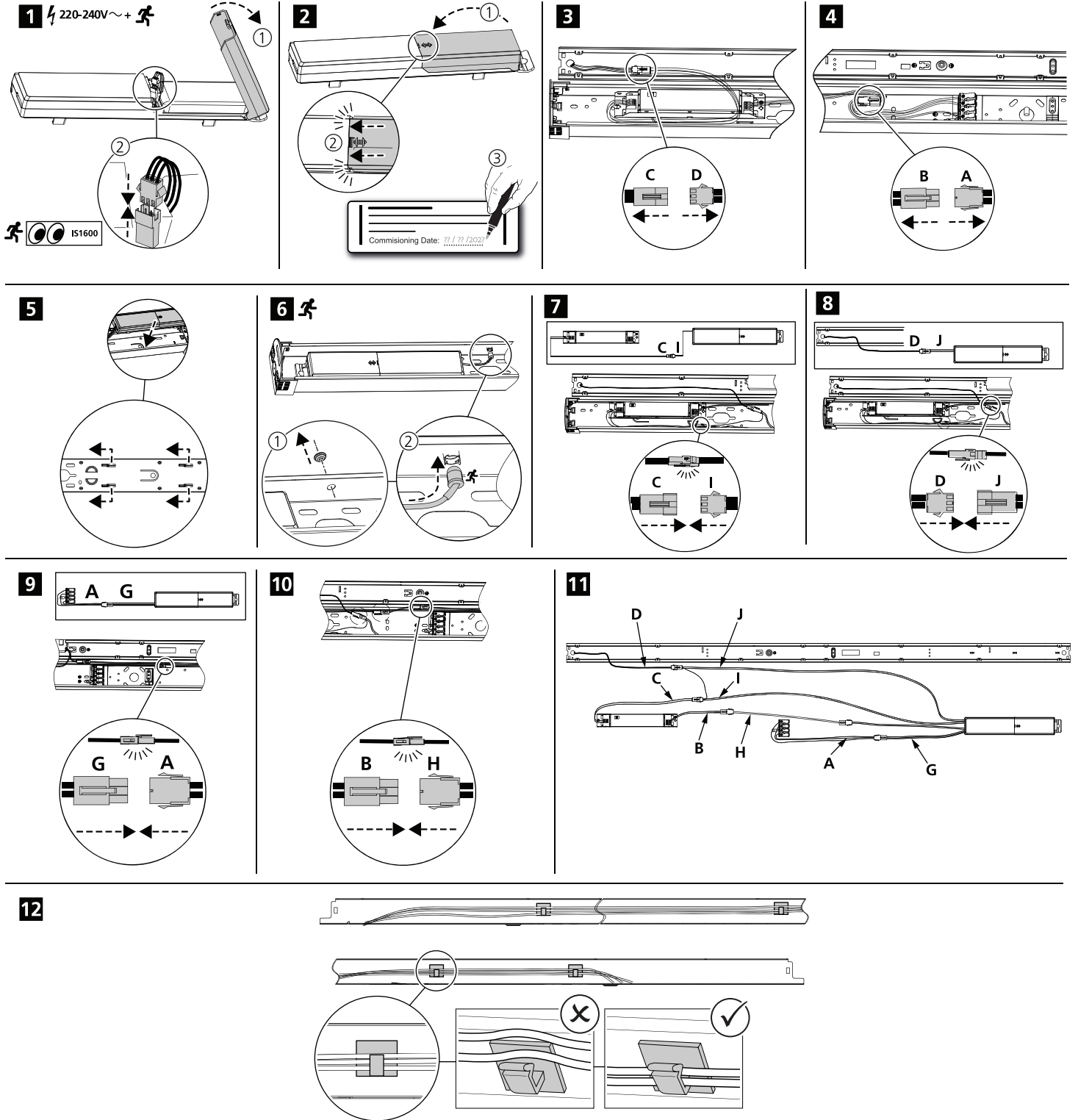
START Batten self Test Emergency kit
0048987

0°C \rightarrow +40°C

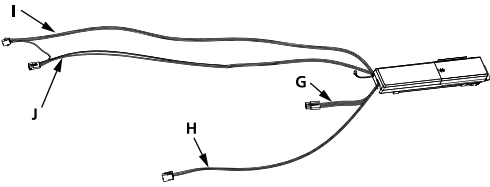


~~START Batten 600~~

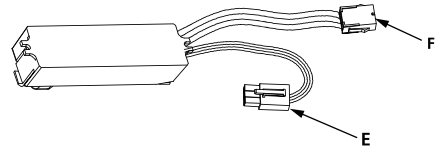
| LED INDICATION | | STATUS | | COMMENT |
|----------------|--------|----------|----------|--------------------------------|
| LED Colour | Status | Flashing | Flashing | |
| Green | ● | ∞ | - | Battery Connected and Charging |
| | ☀ | 0.1 sec | 0.1 sec | Functional Test in Progress |
| | ☀ | 1.0 sec | 1.0 sec | Duration Test in Progress |
| Red | ● | ∞ | - | Lamp Fault |
| | ☀ | 1.0 sec | 1.0 sec | Battery Needs Replacing |
| | ☀ | 0.1 sec | 0.1 sec | Battery Fault |
| | ● | - | ∞ | Emergency Mode |



START Batten Self Test Emergency & MW Sensor Kit



START Batten Self Test Emergency Kit
0048987



START Batten MW Kit
0048986

1 ⚡ 220-240V~+ ⚡

2 Commissioning Date: ?? / ?? / 202?

3

4

5

6 ⚡

7

8

9 ⚡ 220-240V~+ MW

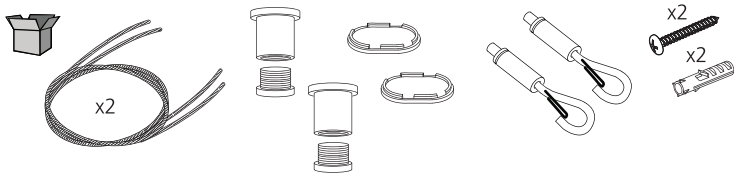
10

11

12

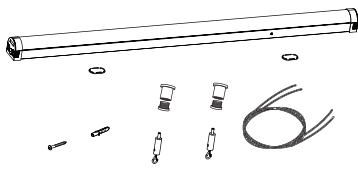
13

START Batten Suspension kit

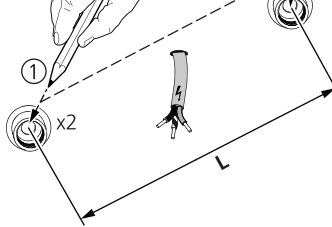


1 START Batten Suspension Kit

0048988

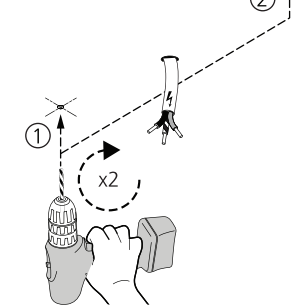


2

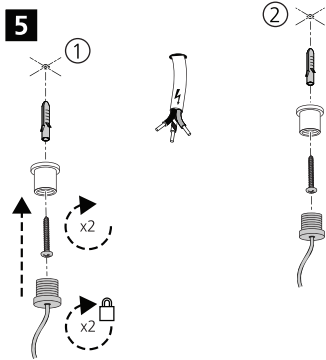
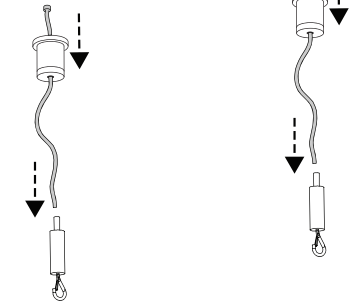


| | |
|-----------------------------|-------|
| START Batten 600 | L |
| START Batten 1200/1500/1800 | 284mm |
| | 884mm |

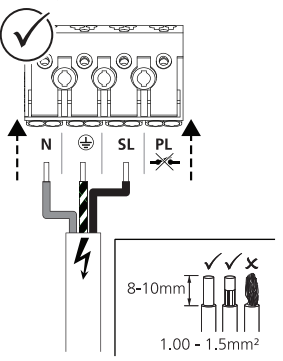
3



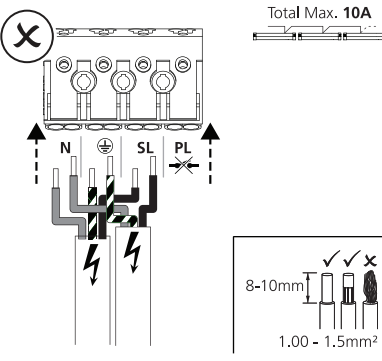
4



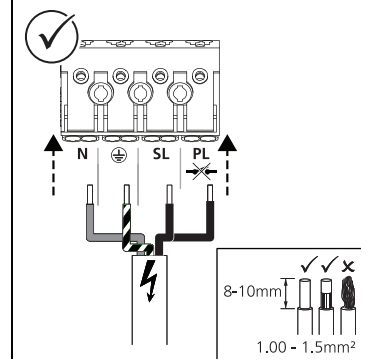
6a ⚡ 230-240V~ START Batten 1200/1500/1800



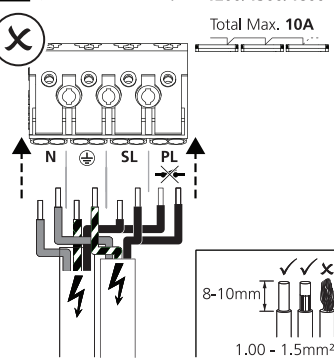
6b ⚡ 230-240V~ START Batten 1200/1500/1800 Total Max. 10A



6c ⚡ 220-240V~ + ⚡ START Batten 1200/1500/1800



6d ⚡ 220-240V~ + ⚡ START Batten 1200/1500/1800 Total Max. 10A



6e ⚡ 220-240V~ START Batten 600

