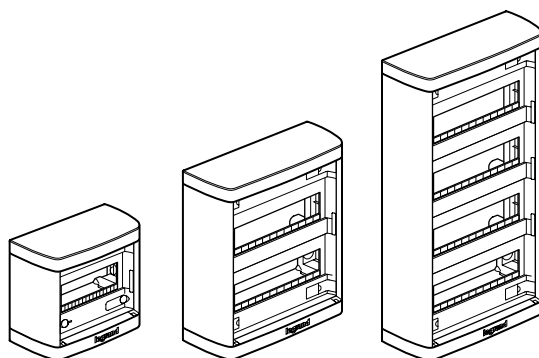


## NEDBOX surface-mounting boxes

Cat. No(s) : 6012 00/01/02/03/04/40/41/42/43/44  
 HL12S - HL24S - HL36S - HL48S



### CONTENTS

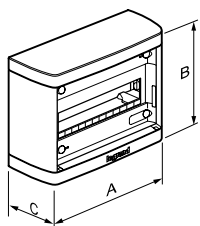
1. Range .....	1
2. Overall dimensions .....	1
3. Technical characteristics .....	1
4. Mounting .....	1
5. Accessories .....	3

### 1. RANGE

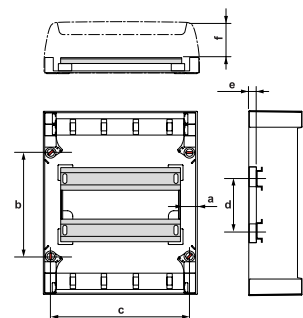
- Low voltage distribution boxes 63 A intended for housing and small commercial.

Référence	Nbre de modules	Nbre de rangées
6 012 00	8	1
6 012 01	12	1
6 012 02	24	2
6 012 03	36	3
6 012 04	48	4
6 012 40	8	1
6 012 41	12	1
6 012 42	24	2
6 012 43	36	3
6 012 44	48	4
HL12S	12	1
HL24S	24	2
HL36S	36	3
HL48S	48	4

### 2. OVERALL DIMENSIONS



A	225	317	318	318	318
B	210	240	380	505	630
C	96	96	108	108	108



a	14	9	20	20	20
b	180	150	225	350	475
c	195	287	285	285	285
d	∅	∅	125	125	125
e	11	11	21	21	21
f	73	73	74	74	74

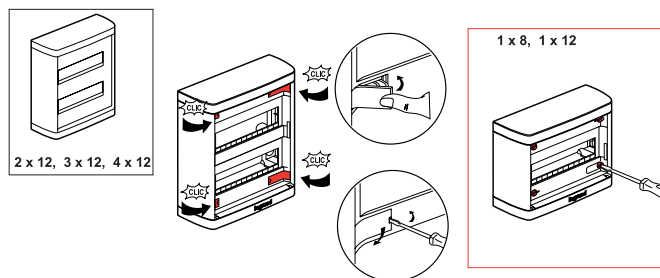
### 3. TECHNICAL CHARACTERISTICS

- White RAL 9010
- Protection index : IP 30 IK 05  
IP 40 IK 07 with door
- Self-extinguishing 650° - VDE 750°
- Class II
- Conform to EN 60 439-3
- Max. current : 63 A
- Materials :
  - Bases and covers : polystyrene
  - Doors : polycarbonate - metal
  - Locks and screws : polyamide
  - Terminal strip : brass - steel - polycarbonate
  - Rail : steel
- Maximum capability to dissipate power ( $P_{de}$ ) :

Number of rows	Number of modules	Maximum dissipate power (W)
1	8	17 W
1	12	21 W
2	24	27 W
3	36	42 W
4	48	45 W

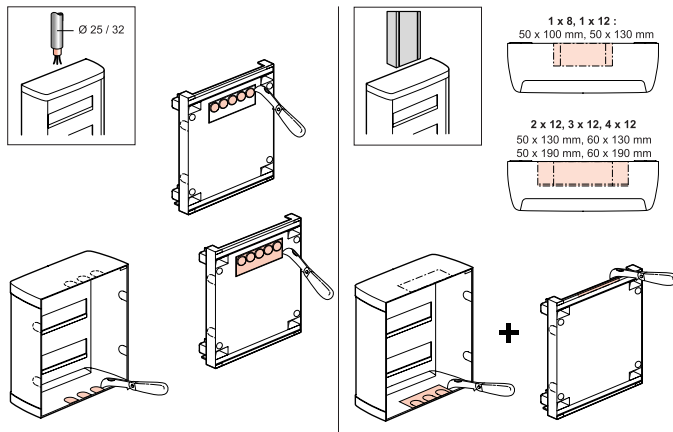
### 4. MOUNTING

- Sealing cover with accessory, fast locking from 2 x 12 modules, screw fixing for box 1 x 8 and 1 x 12 modules.

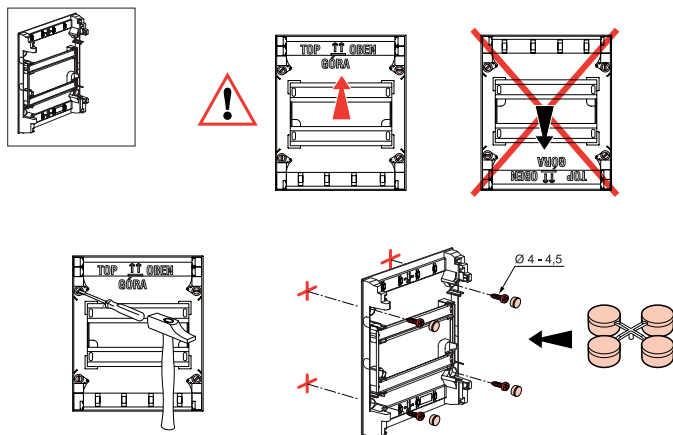


## 4. MOUNTING (continued)

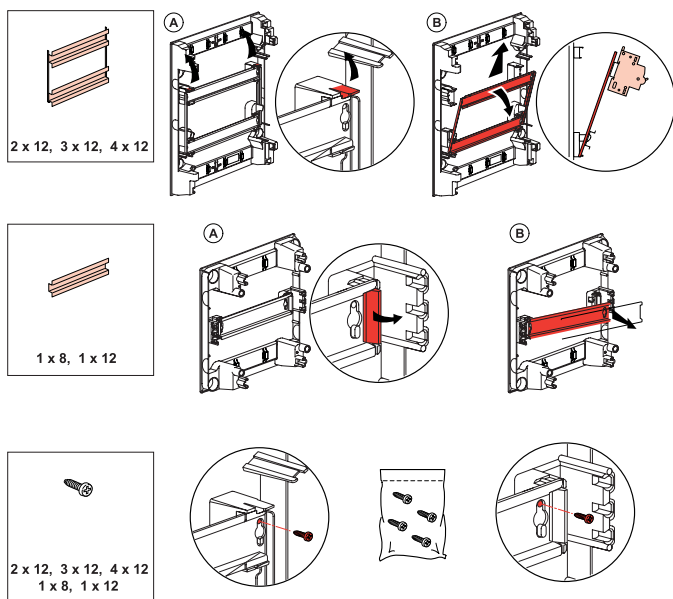
- Pre-cut part for cable routing on 5 surfaces and conduits surfaces. on 2



- Protection cap for fixing screws (class II).

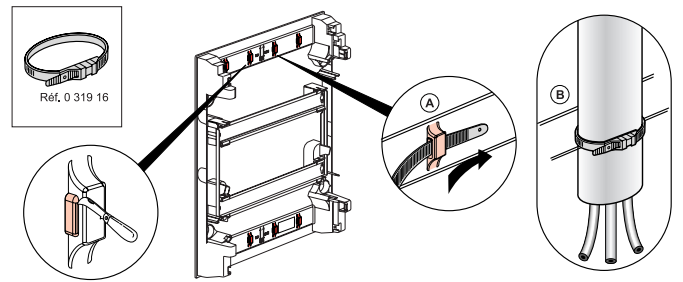


- Chassis can be clipped, removed and tipped. Chassis and rail fixing using the supplied screws.

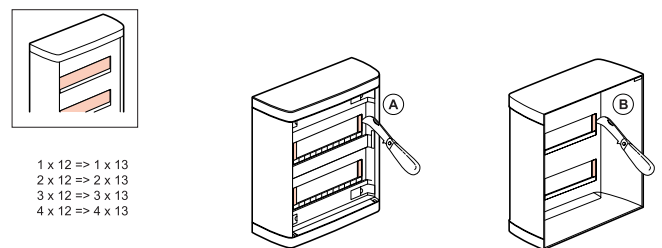


## 4. MOUNTING (continued)

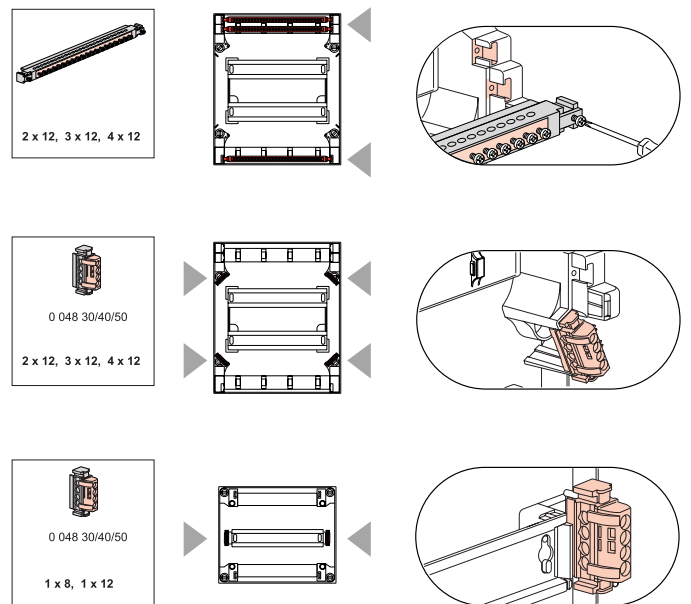
- Cables can be attached at the bottom of the box.



- Pre-cut part for 2 additional semi-modules per row.



- Supplied with Earth and Neutral terminal strips protected or IP 2 (VDE) according to markets. Additional terminal strips can be added.



## 4. MOUNTING (continued)

### Composition of terminal blocks

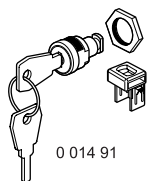
	Borniers protégés	
	N	T
6 012 00	4 x 16 <sup>2</sup> + 4 x 10 <sup>2</sup>	4 x 16 <sup>2</sup> + 4 x 10 <sup>2</sup>
6 012 01	2 x (3 x 16 <sup>2</sup> + 3 x 10 <sup>2</sup> )	6 x 16 <sup>2</sup> + 6 x 10 <sup>2</sup>
6 012 02	3 x (4 x 16 <sup>2</sup> + 4 x 10 <sup>2</sup> )	11 x 16 <sup>2</sup> + 11 x 10 <sup>2</sup>
6 012 03	4 x (4 x 16 <sup>2</sup> + 4 x 10 <sup>2</sup> )	15 x 16 <sup>2</sup> + 15 x 10 <sup>2</sup>
6 012 04	5 x (4 x 16 <sup>2</sup> + 4 x 10 <sup>2</sup> )	19 x 16 <sup>2</sup> + 19 x 10 <sup>2</sup>
6 012 40		Sans
6 012 41		Sans
6 012 42		Sans
6 012 43		Sans
6 012 44		Sans
HL12S	8 x 162	2 x (4 x 162) + 8 x 162
HL24S	1 x 252 + 16 x 162	3 x (8 x 162)
HL36S	1 x 252 + 21 x 162	2 x (8 x 162) + (1 x 252 + 12 x 162)
HL48S	1 x 252 + 26 x 162	3 x (8 x 162) + (1 x 252 + 12 x 162)

## 5. ACCESSORIES

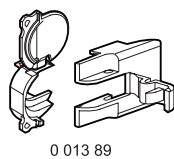
- Doors for boxes IP 40 - IK 07 can be equipped with key-operated lock.

Portes plastiques blanc	Portes transparentes	Porte métal blanc	Pour coffrets
6 012 05	6 012 15	-	6 012 00/40
6 012 06	6 012 16	6 012 26	6 012 01/41/HL12S
6 012 07	6 012 17	6 012 27	6 012 02/42/HL24S
6 012 08	6 012 18	6 012 28	6 012 03/43/HL36S
6 012 09	6 012 19	6 012 29	6 012 04/44/HL48S

- Cat. No. 0 014 91 - Lock



- Cat. No. 0 013 89 - Sealing kit



- Cat. No. 0 048 30 - Earth terminal block

- Cat. No. 0 048 40 - Neutral terminal block

- Cat. No. 0 048 50 - Phase terminal block